



ROSE METAL INDUSTRIES, LLC.

PHONE: 216/ 881-3355 FAX: 216/881-3689

www.rosemetal.com

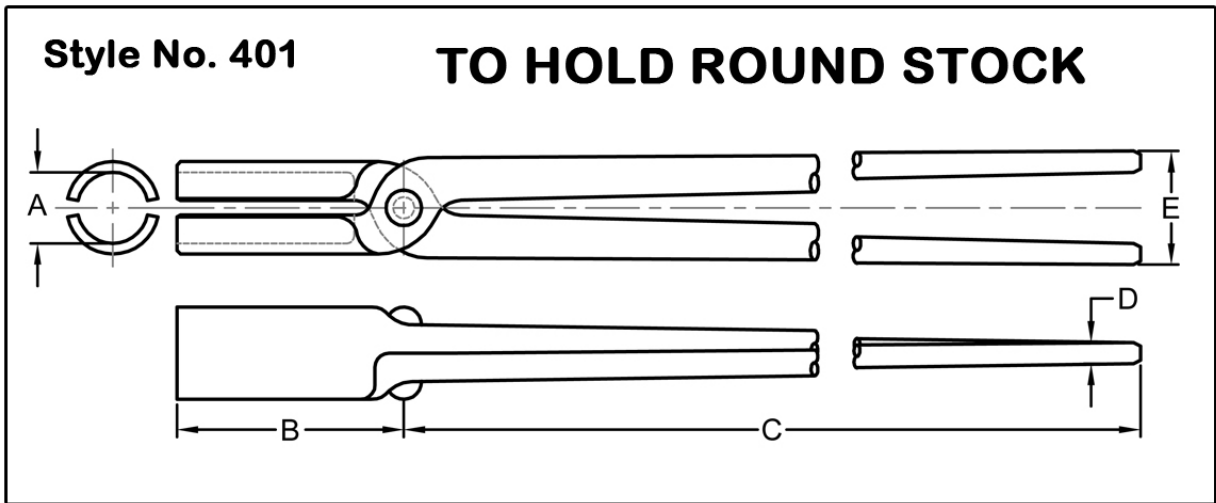
Tongs Data Sheet – Style 401

Name: _____ Email: _____

Company: _____ Title/Position: _____

Phone: _____ Fax: _____

City: _____ State: _____



* Please provide dimensions (see above drawing)

* We assume inches unless otherwise noted.

"A" (To Hold Size): _____

Describe Use: _____

"B" (Jaw Length): _____

"C" (Shaft Length): _____

"D" (Shaft Diameter): _____

"E" (Grip): _____

Quantity: _____

Weight of Object(s) to be lifted in (lbs): _____

Alternate Quantity: _____

Material: (please circle one)

Low Carbon 1045 4140 8620 T304 T316 T330 Inconel 600 Monel 400 Titanium

Other Material: _____

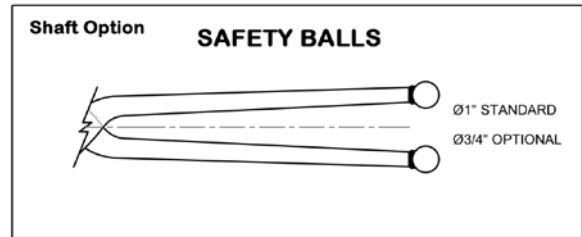
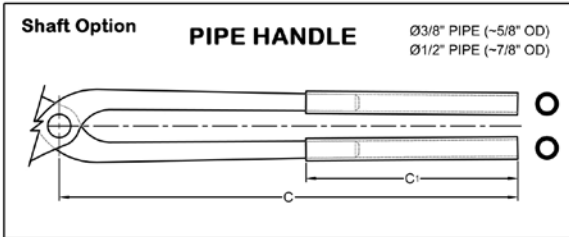
Additional Services: (please circle all that are required)

Heat Treat Magnaflux Inspect Die Penetrant Inspect Proof Testing Coating / Plating

Details: _____

Shaft Options: (please circle one)

Pipe Handle Safety Balls Locking Ring Locking Strap Scissor Grip



Pipe Dimensions: (please choose one)

- 1/2" IPS (7/8" dia - standard)
- 3/8" IPS (5/8" dia - optional)
- Dimension "C1" - Pipe Length

Ball Size: (please choose one)

- 1" dia (standard)
- 3/4" dia (optional)

